

WOODWORKING MACHINES - PUSH STICKS

When should you use push sticks?

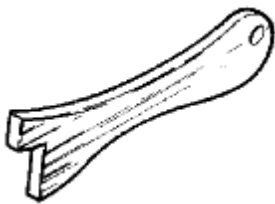
☐ Push sticks or push blocks should be used when operating standard woodworking machinery, including table saws, band saws, radial arm saws, jointer/planers and shapers. These sticks protect the hand while allowing good hand control of the stock as it is pushed through the cutting head or blade. Push blocks for Jointer/Planers should be constructed for two-handed positioning.

- Always use a push stick for pieces less than 30 cm (1 ft) in length, or for the last 30 cm of a longer cut.
- Use the push stick to remove the cut piece from between the fence and the blade.

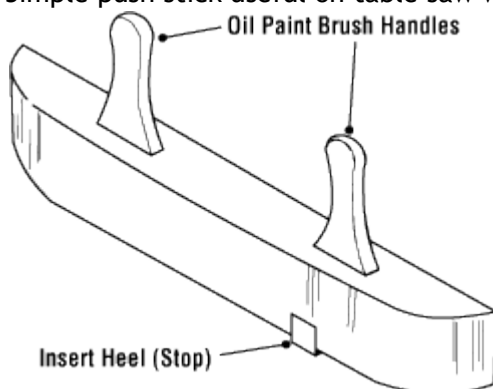
What are some features of a push block?

Hold-down push blocks should:

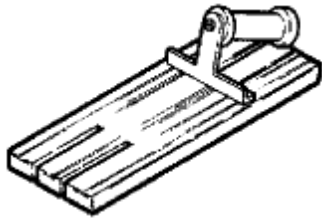
- be rigid
- enable the operator to protect both hands
- allow the operator to exert a firm and steady pressure on the work piece.
- The following are samples of push blocks.
- Simple push sticks are useful on a table saw when distance between the blade and fence is narrow.



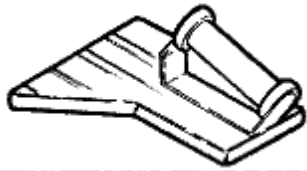
Simple push stick useful on table saw when distance between the blade and fence is narrow.



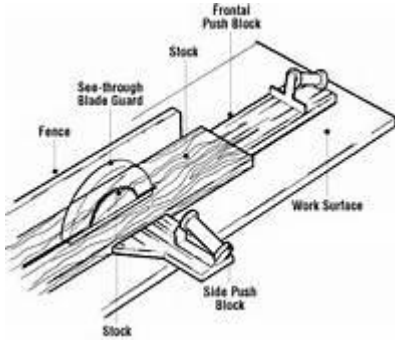
Double-handled hold-down push block



Frontal Push Block



Side Push Block



Use of two push blocks on single application